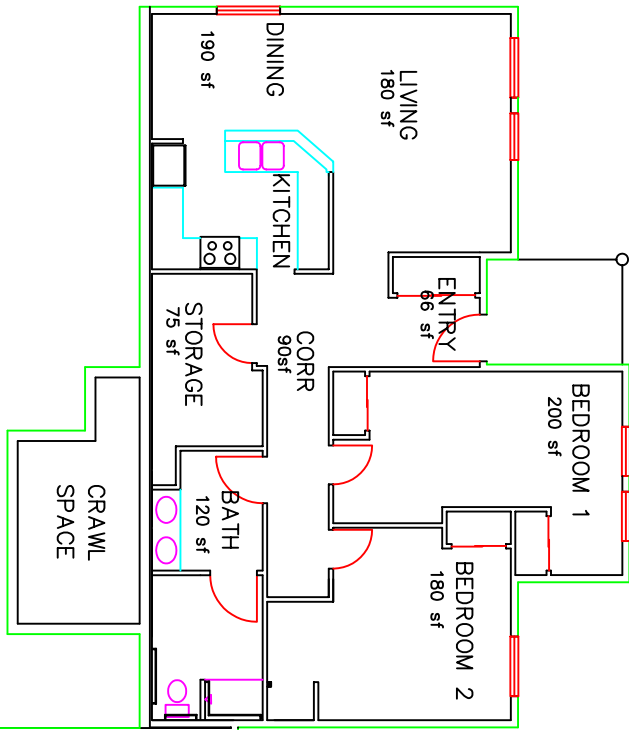
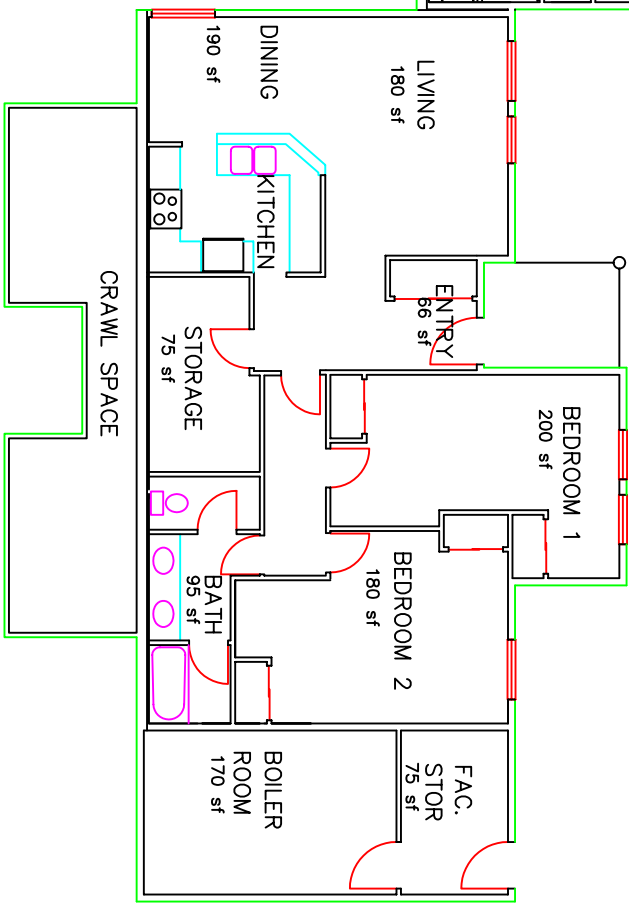


BLDG B  
APT 2

HANDICAPPED  
ACCESS. UNIT



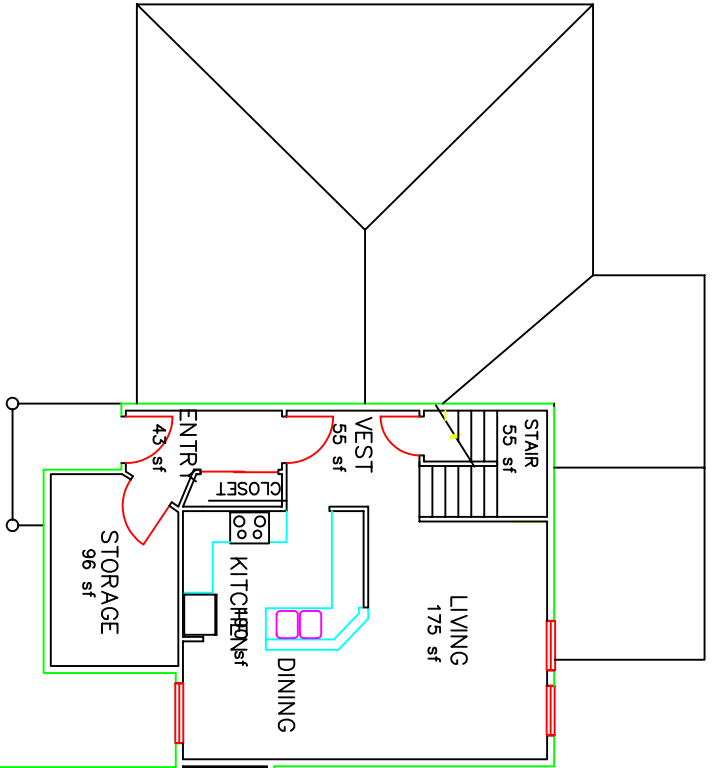
BLDG B  
APT 1



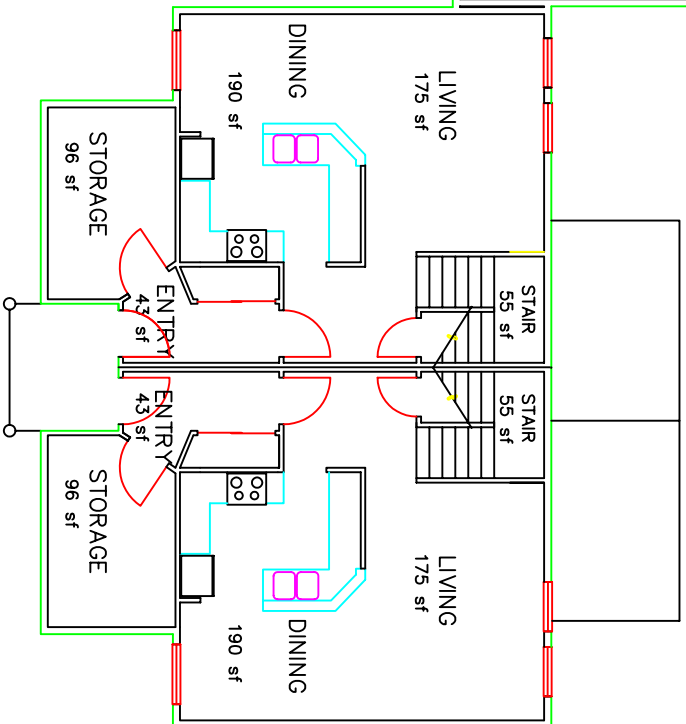
STUDENT HOUSING BUILDING 'B' – LOWER FLOOR FLATS  
Building No.: JS-112

JANUARY 2003

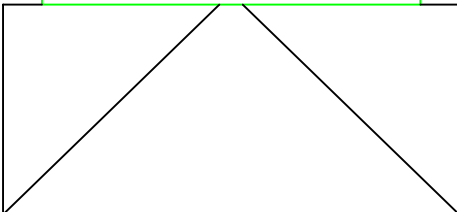
BLDG B  
APT 3



BLDG B  
APT 4



BLDG B  
APT 5



STUDENT HOUSING BUILDING 'B' – MAIN FLOOR TOWNHOUSES  
Building No.: JS-112

JANUARY 2003

STUDENT HOUSING BUILDING 'B' – UPPER LEVEL TOWNHOUSES  
 Building No.: JS-112

JANUARY 2003

